

perk



WIELAND

an innovative design made even more practical

The popular Plyfold chair redesigned, Perk features an engineered resin frame for easy cleaning, and contoured seat offering unparalleled comfort. Combined with the convenient SmartRail® storage system, Perk

provides extra guest seating as needed in the patient room. Wieland's Perk + SmartRail® combination offers healthcare facilities another family-centered patient room solution helping to improve patient outcomes.



SmartRail® | every wall should have one



SmartRail®

- Stores easily out of the way on the SmartRail® hanger system and is handy when you need it
- Passes testing for healthcare cleaning protocols
- Designed for safety

- Poly under seat panel is standard
- Easily cleanable poly panel aids infection prevention
- Stackable to 20 high on dolly
- 10-year warranty, including foam



poly panel

specs

Product No.	Description	W	D	H	SW	SD	SH	AH	WT	YDG	WT CAP
7029201	Perk folding chair	20	22.75	32.5	17.25	18	18	-	15	0.5	400
7170003	SmartRail®	23.5	3	5	-	-	-	-	3	-	-

SmartRail®



wall bracket



front view



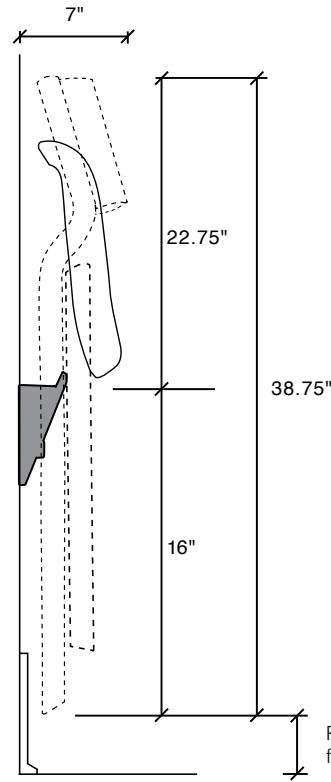
side view



three-quarter view

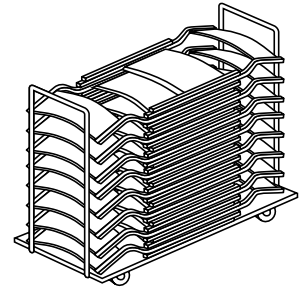


molded frame makes cleaning easy



SmartRail® wall height

wheeled dolly
stackable to 20 high



WIELAND

888.Wieland
wielandhealthcare.com